

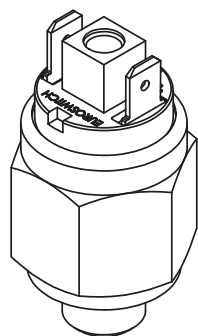
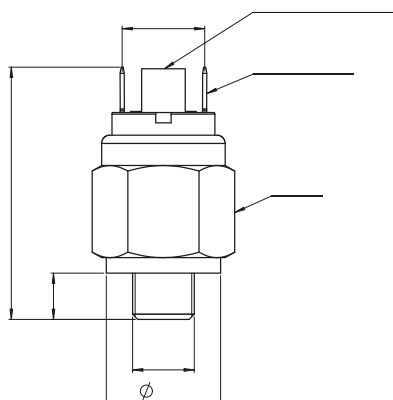
Reflex Feu

Détection Extinction Simple & Efficace



Les systèmes Reflexofeu peuvent être équiper de pressostats (contact sec). Cette option vous permettra de relayer l'information d'un déclenchement du système. Vous pourrez donc déclencher une alarme, un flash lumineux, arrêter une ventilation, activer une coupure....
Le pressostat est Normalement Fermé (NF).

All our systems can be equipped with a pressure switch. This option will allowed you to relay the information that the system was activated. With this pressure switch, you can activate an alarm, a flash, stop a ventilation ...
The pressure switch is Normaly Close (NC).



Technical datasheet

Electric conditions	N.O (bordaux) N.C. (blu)
Electric contact	Silver AgNi, on request gold plated
Max switches voltage	48 V ac / dc
Max switches current	0,5 A
Max fluid temperature	80° to 120°C (depending on diaphragm)
Mechanical working life	10 ⁶ operations
Electrical working life	10 ⁵ operations
Max Overpressure limit	Zinc plated steel / inox 300 bar
Max Working pressure	Zinc plated steel / inox 150 bar
Action type	1B
Pollution situation	grade 2
Protection degree	IP 00
with cover 3015001	IP 54 (see pages 13-15)
In accordance with	EN 60730-I
Weight	~65 gr